

PowerConnections

SAP3 Euro to American Converter Plug Technical Data & Fitting Instructions

IMPORTANT SAFETY INSTRUCTIONS

When using your travel adapter, basic precautions should always be followed, including the following:

- a) READ ALL INSTRUCTIONS BEFORE USING.
- b) THIS PRODUCT IS NOT A VOLTAGE CONVERTER. Check the markings on each appliance and use this adapter only with appliances rated for both 120 and 240 volts. Using appliances rated only 120 volts with this adapter may result in a risk of fire, electric shock, injury to persons, or damage to the appliance.
- c) Be sure the dual-voltage selector switch, when provided, is in the correct voltage position before operating. Before plugging in, read the information about dual-voltage operation contained in these instructions and in the instructions provided with each appliance to be used with this adapter.
- d) Always attach the adapter to the plug of the appliance first, then insert the adapter into the outlet.
- e) Always disconnect the adapter and appliance from the electrical outlet when not in use.
- f) SAVE THESE INSTRUCTIONS

Description

The 3 Pin Euro to American Converter Plug (SAP3) is an adapter that converts the European IEC 83:1975 Standard C 2b, C4, C5, and C6 plug to the US format. The plug is designed and manufactured to meet the requirements of UL 498a, WD 6. It complies fully with the LVD and Plug and Socket safety regulations. The design of the clamping method ensures the body of the European IEC 83:1975 Standard C 2b, C4, C5, and C6 plug is enclosed.

- Suitable for Class 1 and 2 devices (earthed and unearthed).
- Not Suitable for any other plug system.

Rating

Voltage: 250Vac,
Current: 10 amps max,
Load: 2500 watts max.
Frequency: 50 Hz

Installation System

The Euro to American Converter Plug (SAP3) is designed for use within the US Plug and Socket system only.

Fitting

The Euro to American Converter Plug (SAP3) should be fitted as follows (see full details below):

1. Open SAP3
2. Insert the Schuko Plug into the SAP3.
3. Close lid
4. Tighten retaining screws 2off to 0.4N.m (4.08Kgf.cm).
5. Assembly complete

NOTE 1: - If the cover does not close fully, this may mean that the Schuko Plug has not been correctly fitted, check, and rectify before use.

NOTE 2: - This torque setting is for hand screwdrivers, if required, please contact us for guidance regarding power screwdriver settings

PowerConnections

SAP3 FITTING ILLUSTRATION STRAIGHT SCHUKO

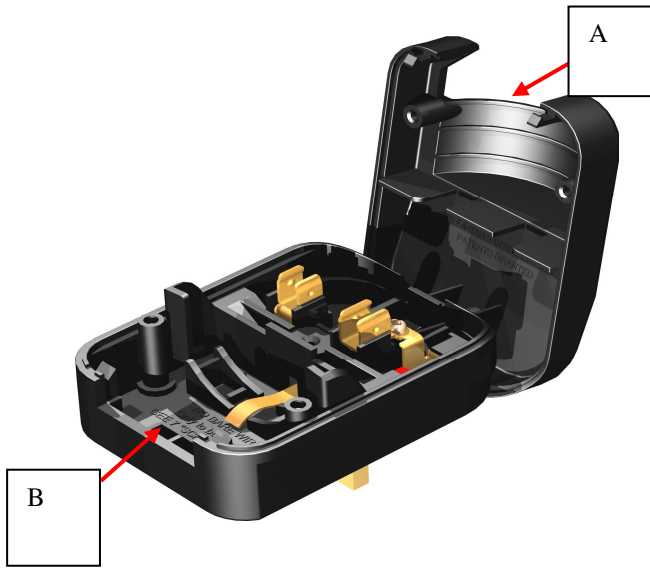


Diagram 1

Product received closed
Insert thumbs at “A” and “B” and pull
open lid.
Product now ready to use, see diagram 2

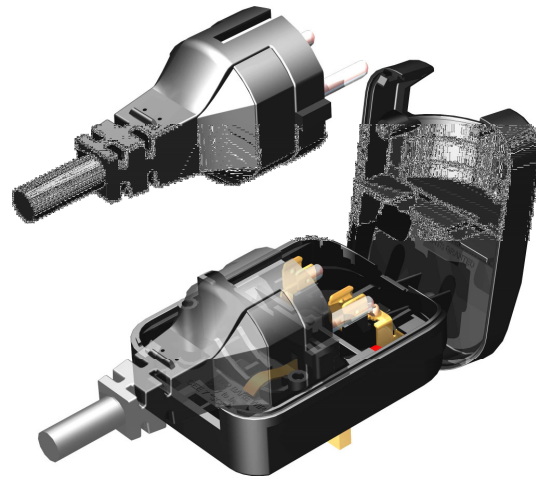


Diagram 2

Get plug and install in to clips, and close
lid aligning clips, see diagram 3.

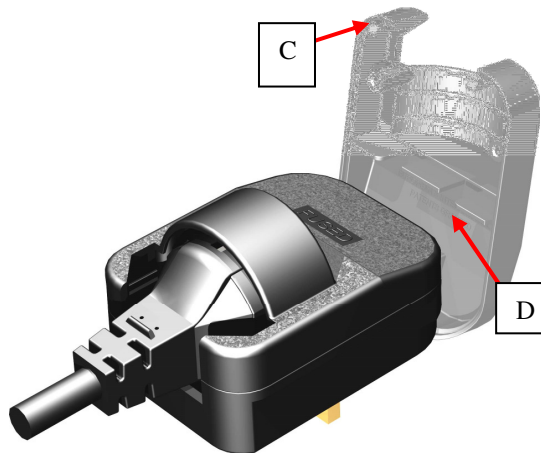


Diagram 3

Close lid
Ensure clips “C” and “D” align and click home
Lid now secured by clips, and ready to be screwed up
by the 2 screws in the base, tighten screws to a
torque of 0.4 Nm (**Maximum**)
Fitting complete

PowerConnections

SAP3 FITTING ILLUSTRATION RIGHT ANGLE SCHUKO

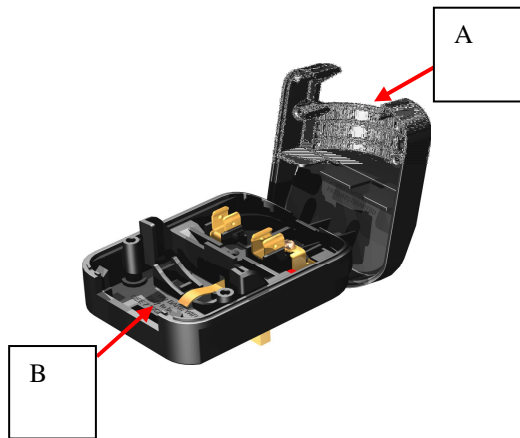


Diagram 1

Product received closed
Insert thumbs at “A” and “B” and pull
open lid.
Product now ready to use, see diagram 2



Diagram 2

Get plug and install in to clips, and
close lid aligning clips, see diagram 3.

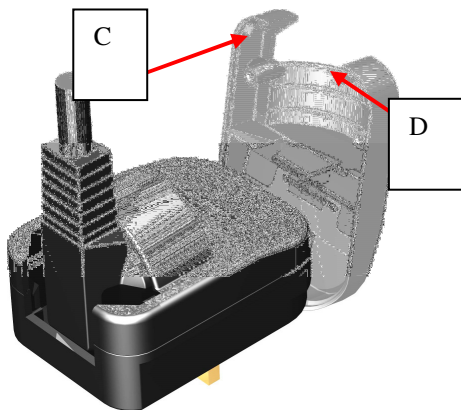


Diagram 3

Close lid
Ensure clips “C” and “D” align and click home
Lid now secured by clips, and ready to screwed
up by the 2 screws in the base, tighten screws
to a torque of 0.4 Nm (**Maximum**)
Fitting complete